

**Rc1002-
High Performance Gauge
Pressure Sensor
Rc1003-
High Performance Absolute
Pressure Sensor**



Technical Advantages:

- The high stability silicon sensor, the highest accuracy is 0.05%
- Excellent performance for the overload protection
- Packaged temperature sensor inside
- Stainless steel 316L and silicone oil filling welded seal structure

Applications:

Gauge & absolute pressure transmitter core components

Electrical Characteristics (at U_{supply}=5V, T₀=25, unless otherwise specified)

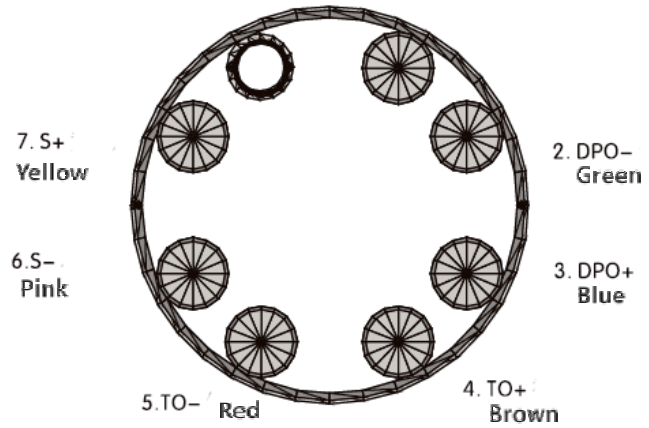
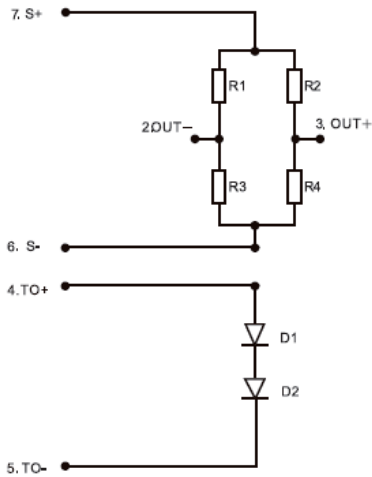
Parameter	Min.	Typ.*	Max.	Unit
Ambient Temperature Limits	-40		+85	°C
Process Temperature limits	-50		+100	°C
Span voltage (@25°C)				mV
RC1002-B/C/D/F	60	100	140	
RC1002-G	200	250	300	
RC1002-H RC1003-L/M/O	60	100	140	
Offset voltage	-25	0	+25	mV
Temperature coefficient of bridge resistance	+0.07	+0.09	+0.11	%/K
Temperature coefficient of span	-0.23	-0.2	-0.17	%F.S./K
Temperature hysteresis		<0.05		±%F.S.
Pressure hysteresis		<0.05		±%F.S.
Long term stability		<0.05		±%F.S./year
Linearity error	-0.5	<0.1	0.5	±%F.S.
Temperature Sensor (@25°C)	1.3	1.4	1.5	V

Span	6kPa	40kPa	250kPa	3MPa	10MPa	40MPa
Overload Pressure	0.3MPa	1MPa	4MPa	15MPa	20MPa	60MPa

ROCKSENSOR Sàrl

Rue G. -A Matile 61, 2000 Neuchâtel, Switzerland

Tel: +41 78 776 2218 / www.rocksensor.ch



High Performance Sensor: RP1002/3-			
10	Span		
	Gauge pressure sensor RP1002-		
	B	0-600Pa~6kPa	
	C	0-400Pa~40kPa	
	D	0-2.5kPa~250kPa	
	F	0-30kPa~3MPa	
	G	0-100kPa~10MPa	
	H	0-400kPa~40MPa	
	Absolute pressure sensor RP1003-		
	L	0-400Pa~40kPa	
	M	0-2.5kPa~250kPa	
	N	0-30kPa~3MPa	
20	Process Connector		
	1	1/2-NPT female thread	
	2	1/2-NPT male thread	
	3	M20x1.5 male thread	
	4	G 1/2 male thread	
	6	Sanitary connector DIN 32676 DN25 / ISO 2852 DN 25	
	7	Sanitary connector DIN 32676 DN40 / ISO 2852 DN 38	
30	Diaphragm		
	S	316L stainless steel	
	H	Hastelloy C	
RC1002-			Order code
RC1003-			Order code